

PBL 3796, PBL 3796/2 Subscriber Line Interface Circuit

Description

PBL 3796 is an analog Subscriber Line Interface Circuits (SLICs), which are fabricated in a 75 V bipolar, monolithic process.

The programmable battery feed is resistive with short-loop current limiting. A switch-mode regulator reduces on-chip power dissipation in the active state. In the standby state, power dissipation is further reduced, while still permitting supervisory functions to be active.

Tip-ring polarity is reversible without altering SLIC supervisory and voice frequency (vf) functions. Tip and ring outputs can be set to high impedance states. These and other operating states are activated via a parallel, four bit control word.

An external resistor controls the off-hook detector threshold current. The ring trip detector can operate with both balanced and unbalanced ringing systems. The two detectors are read via a shared output.

Ring and test relay drivers with internal clamp diodes are provided.

The complex or real two-wire impedance is set by a scaled, lumped element network.

Two- to four-wire and four- to two-wire signal conversion is provided by the SLIC in conjunction with either a conventional or a programmable CODEC/filter.

Longitudinal line voltages are suppressed by a control loop within the SLIC.

Packages are 28-pin, dual-in-line; 32-pin or 44-pin j-leaded chip carrier.

The difference between PBL 3796 and PBL 3796/2 is mainly the longitudinal balance spec.

Key Features

- On-chip switch mode regulator to minimize power dissipation
- Programmable, resistive battery feed with short-loop current limiting
- Line feed characteristics independent of battery variations
- Tip-ring polarity reversal function
- Tip and ring open circuit state; tip open with ring active state
- Detectors:
 - programmable loop current detector
 - ring trip detector
- Ring and test relay drivers
- Line terminating impedance, complex or real, set by a simple external network
- Hybrid function with conventional or programmable CODEC/filters
- 70 dB longitudinal to metallic balance
- 79 mA peak longitudinal current suppression
- Idle noise < 10 dBrnC, < -80 dBup

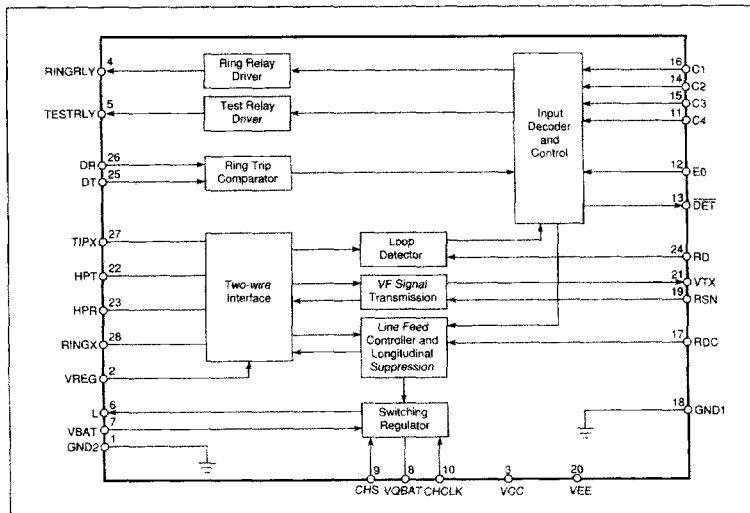
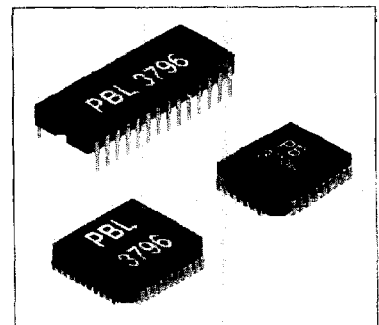


Figure 1. Block diagram. Pin numbers refer to the dual-in-line package.



Absolute Maximum Ratings

Note: pin numbers refer to the 28-pin, dual-in-line package, unless otherwise indicated.

Parameter	Symbol	Min	Max	Unit
Temperature and humidity				
Storage temperature range	T_{Stg}	-55	+150	°C
Operating ambient temperature range	T_{Amb}	-40	+85	°C
Operating junction temperature range (Note 1)	T_J	-40	135	°C
Power supply				
V_{CC} with respect to ground	V_{CC}	-0.4	+6.5	V
V_{EE} with respect to ground	V_{EE}	-6.5	+0.4	V
V_{Bat} with respect to ground	V_{Bat}	-7.0	+0.4	V
Power dissipation				
Continuous power dissipation at $T_{Amb} = 70$ °C (Note 3)				
28-pin, plastic dual-in-line (N)			1.5	W
44-pin j-leaded chip carrier (QN)			1.5	W
32-pin, j-leaded and leadless chip carrier (RN)			1.7	W
Ground				
Voltage between GND1 and GND2 (Note 4)	V_{G12}	-0.1	+0.1	V
Switch mode regulator				
Peak current through regulator switch (pin L)	I_{IPk}		150	mA
Regulator switch output (pin L) peak off-state voltage	V_{IPk}		+2	V
Relay drivers				
Test relay supply voltage	V_{TRlv}	V_{Bat}	V_{CC}	V
Ring relay supply voltage	V_{RRlv}	V_{Bat}	V_{CC}	V
Test relay current	I_{TRlv}		80	mA
Ring relay current	I_{RRlv}		80	mA
Ring trip comparator				
Input voltage	V_{DT1}, V_{DR}	V_{Bat}	0	V
Input current, $t_w = 10$ ms	I_{DT1}, I_{DR}	-2	+2	mA
Digital inputs, outputs C1 - C4, E0, DET, CHCLK				
Input voltage	V_{ID}	-0.4	V_{CC}	V
Output voltage (DET not active)	V_{OD}	-0.3	V_{CC}	V
Output current	I_{OD}		3	mA
TIPX and RINGX terminals				
TIPX or RINGX continuous voltage (Notes 5, 6)	V_T, V_R	-7.0	1	V
TIPX or RINGX, pulsed voltage, $t_w < 10$ ms and $t_{rep} > 10$ s (Notes 5, 6)	V_T, V_R	-7.0	5	V
TIPX or RINGX, pulsed voltage, $t_w < 1$ μ s and $t_{rep} > 10$ s (Notes 5, 6)	V_T, V_R	-9.0	10	V
TIPX or RINGX, pulsed voltage, $t_w < 250$ ns and $t_{rep} > 10$ s (Notes 5, 6, 7)	V_T, V_R	-12.0	15	V
TIPX or RINGX current	I_{Ldc}	-105	105	mA
Recommended Operating Conditions				
Parameter	Symbol	Min	Max	Unit
Ambient temperature	T_{Amb}	0	70	°C
Case temperature	T_{Case}	0	90	°C
V_{CC} with respect to ground	V_{CC}	4.75	5.25	V
V_{EE} with respect to ground	V_{EE}	-5.25	-4.75	V
V_{Bat} with respect to ground (Note 8, 9, 11)	V_{Bat}	-58.0	-40.0	V
GND2 with respect to GND1 (Note 10)	V_{G12}	0	0	V

Notes

1. The circuit includes thermal protection. Ref. to section Over-temperature protection. Operation above 135 °C may degrade device reliability.
2. -
3. Values apply for momentary junction temperature of 120°C without heat sink.
4. The GND1 and GND2 pins should be connected together via a direct printed circuit board trace.
5. V_T and V_R are referenced to ground. t_w is pulse width of a rectangular test pulse and t_{rep} is pulse repetition rate.
6. These voltage ratings require a diode to be installed in series with the VBAT pin as shown in figure 11 (D7).
7. R_{F1} , $R_{F2} \geq 20 \Omega$ is also required. Pulse is supplied to Tip and Ring outside R_{F1} , R_{F2} .
8. For long loop applications with $-63V < V_{Bat} < -56V$, the saturation guard reference voltage, V_{SGRef} should be adjusted by calculating a value for resistor R_{SG} as described in the text. Not that the adjustment terminal, RSG, is available only on the 44-pin leaded chip carrier packages.
9. V_{Bat} should be applied with a $\partial V_{Bat} / \partial t < 4 V/\mu\text{sec}$. A time constant of 2.6 μs is suggested (e.g. 5.6 Ω and 0.47 μF). The VBAT terminal must at all times be at a lower potential than any other terminal to maintain proper junction isolation. Refer to section Power-up sequence.
10. GND1 and GND2 must be connected before supply voltages.
11. A VBAT of maximum -40V may be used. However with a VBAT of -40 to -46 V, the performance on long lines* will degrade outside the specified limits. Parameters effected are; Line current, longitudinal balance, idle channel noise and VBAT PSRR.
*Long lines is in this case outside the constant current range with the VBAT dependant saturation guard activated.

Electrical Characteristics

0 °C ≤ T_{Amb} ≤ 70 °C, V_{CC} = +5 V ±5%, -58.0 V ≤ V_{Bat} ≤ -46.0 V, V_{EE} = -5V ±5%, GND1 = GND2, R_{DC1} = R_{DC2} = 1.25 kΩ, R_D = 51.1 kΩ, R_{CH} = 909 Ω, R_{Bat} = 10 Ω, C_{HP} = 0.22 μF, C_{DC} = 1.2 μF, C_P = 0.01 μF, C_{TC} = C_{RC} = 2200 pF, C_{CH1} = 0.047 μF, C_{CH2} = 1500 pF, C_{FR} = 0.47 μF, C_{Bat} = 0.47 μF, C_D = 0.33 μF, L = 1 mH; Z_{TR} (2-wire ac terminating impedance) = 600 Ω, Z_L (line impedance) = 600 Ω. R_{F1} = R_{F2} = 0 ohm, R_T = 60 kΩ, R_{RX} = 30 kΩ; unless otherwise specified. The specifications are with respect to exact external component values.

Parameter	Ref fig	Condition	Min	Typ	Max	Unit
2-wire port						
Overload level, V _{TRO}	2	1% THD, E _L = 0, f = 1 kHz, (Note 1)	3.1	3.5		V _{Rk}
			7.2	8.3		dBm
			9.0	10.1		dBu
		V _{Bat} = -46.0 V to -58.0V 1% THD, 1 kHz RL _{DC} =2000Ω, RL _{AC} =600Ω RL _{DC} =∞, RL _{AC} =600Ω	1.55	3		Vpk
				1.5		Vpk
		V _{Bat} = -43.5 V to -46.0V 1% THD, 1 kHz +25°C to +70°C RL _{DC} =2000Ω, RL _{AC} =600Ω		2		Vpk
Input impedance, Z _{TRX}		Note 3		1		Vpk
Longitudinal impedance, Z _{LoT} , Z _{LoR}	3	f ≤ 100 Hz		25	40	Ω/wire
Longitudinal current limit, I _{LoT} , I _{LoR}		f ≤ 100 Hz	20	28		mA _{rms} /wire
			8.5	19		mA _{rms} /wire
Longitudinal to metallic balance, B _{LM}		IEEE Standard 455-1985 0.2 kHz < f < 3.4 kHz, Note 4				
Standard version		Normal polarity	50	70		dB
			50	65		dB
-/2 version		Normal polarity	60	70		dB
			55	65		dB
		Average per lot, Normal polarity	65			dB
Metallic to longitudinal balance, B _{ML}		FCC part 68 paragraph 68.310 0.2 kHz < f < 4.0 kHz F = 1.0 kHz	40			dB
				53		dB

Parameter	Ref fig	Conditions	Min	Typ	Max	Unit
Longitudinal to metallic balance, B_{LME}	4	0.2 kHz < f < 3.4 kHz, $B_{LME} = 20 \cdot \log \left \frac{E_{Lo}}{V_{TR}} \right $				
Standard version		Normal polarity	50	70		dB
		Reversed polarity	50	65		dB
-/2 version		Normal polarity	60	70		dB
		Reversed polarity	55	65		dB
Longitudinal to four wire balance, B_{LFE}	4	0.2kHz < f < 3.4kHz $B_{LFE} = 20 \cdot \log \left \frac{E_{Lo}}{V_{TX}} \right $				
Standard version		Normal polarity	50	70		dB
		Reversed polarity	50	65		dB
-/2 version		Normal polarity	60	70		dB
		Reversed polarity	55	65		dB
Metallic to longitudinal balance, B_{MLE}	5	$B_{MLE} = 20 \cdot \log \left \frac{E_{TR}}{V_{Lo}} \right $, $E_{RX} = 0$ 0.2kHz < f < 4.0kHz f = 1.0 kHz	40			dB
				53		dB
Four wire to longitudinal balance, B_{FLE}	5	$B_{FLE} = 20 \cdot \log \left \frac{E_{RX}}{V_{Lo}} \right $, E_{TR} source removed 0.2kHz < f < 4.0kHz f = 1.0 kHz	40			dB
				53		dB
2-wire return loss, r		$r = 20 \cdot \log \left \frac{Z_L + Z_{TR}}{Z_L - Z_{TR}} \right $, Note 5 0.2kHz ≤ f < 0.5kHz 0.5kHz ≤ f < 1.0kHz 1.0kHz ≤ f ≤ 3.4kHz	30	35		dB
			25	30		dB
			15	21		dB

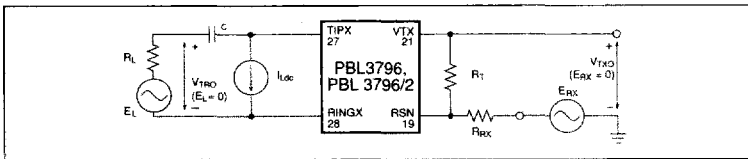


Figure 2. Overload level.
 $1/\omega C \ll R_L$
PBL 3796 $R_L = 600 \Omega$,
 $R_T = 60 \text{ k}\Omega$, $R_{RX} = 30 \text{ k}\Omega$.

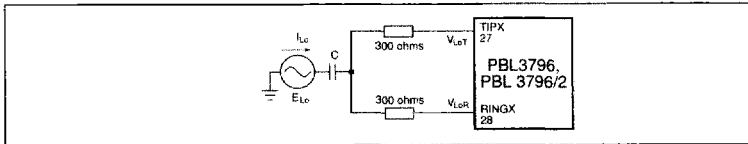


Figure 3. Longitudinal input impedance.
 $Z_{LoT} = Z_{LoR} = \frac{V_{LoT} + V_{LoR}}{I_{Lo}}$

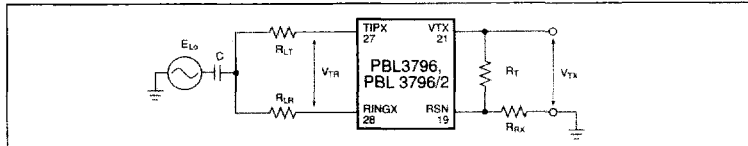


Figure 4. Longitudinal-to-metallic (B_{LME}) and Longitudinal-to-four-wire (B_{LFE}) balance.
 $1/\omega C \ll 150 \Omega$,
 $R_{LT} = R_{LR} = 300 \Omega$,
 $R_T = 60 \text{ k}\Omega$, $R_{RX} = 30 \text{ k}\Omega$.

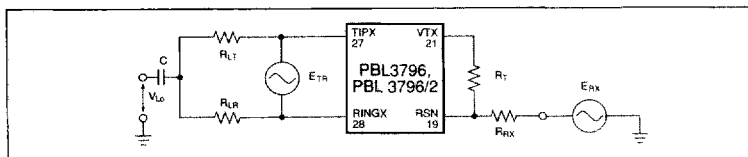


Figure 5. Metallic-to-longitudinal (B_{MLE}) and four-wire-to-longitudinal (B_{FLE}) balance.
 $1/\omega C \ll 150 \Omega$,
 $R_{LT} = R_{LR} = 300 \Omega$,
 $R_T = 60 \text{ k}\Omega$, $R_{RX} = 30 \text{ k}\Omega$.

Parameter	Ref fig	Conditions	Min	Typ	Max	Unit
Polarity reversal time, t_{pol}		Normal to reversed polarity or reversed to normal polarity		4	15	ms
TIPX idle voltage, V_{T1}		Normal polarity $V_{Bat} = -48$ V	-5.0	-3.5	-2.0	V
TIPX to RINGX idle voltage, V_{tro}		Active and standby $V_{Bat} = -48$ V R1=open loop				
Standard version		Normal polarity			42	V
		Reversed polarity	-42			V
-/2 version		Normal polarity			40	V
		Reversed polarity	-40			V
4-wire transmit port (VTX)						
Overload level, V_{TXO}	2	Load impedance > 20 k Ω , $f = 1$ kHz, 1% THD, $E_{RX} = 0$ Note 6	3.1 9.0	3.5 10.1		V_{Pk} dBu
Output offset voltage, ΔV_{TX}			-50	± 5	+50	mV
Output impedance, Z_{TX}		0.2kHz $\leq f \leq$ 3.4kHz		6	20	Ω
4-wire receive port (RSN)						
RSN dc voltage, V_{RSN}		$I_{RSN} = 0$	-10	0	+10	mV
RSN impedance, Z_{RSN}		0.2kHz $\leq f \leq$ 3.4kHz		3	20	Ω
RSN current (I_{RSN}) to metallic loop current (I_L) gain, α_{RSN}		0.2kHz $\leq f \leq$ 3.4kHz, $\alpha_{RSN} = \frac{I_L}{I_{RSN}}$		40		dB
Frequency response						
Two-wire to four-wire, $g_{2,4}$	6	0.3kHz $\leq f \leq$ 3.4kHz Relative to 1.0 kHz, 0 dBu $E_{RX} = 0$ V, (Note 7)	-0.1	± 0.03	+0.1	dB
Four-wire to two-wire, $g_{4,2}$	6	0.3kHz $\leq f \leq$ 3.4kHz Relative to 1.0 kHz, 0 dBu $E_L = 0$ V, (Notes 8, 14)	-0.1	± 0.03	+0.1	dB
Four-wire to four-wire, $g_{4,4}$	6	0.3kHz $\leq f \leq$ 3.4kHz Relative to 1.0 kHz, 0 dBu $E_L = 0$ V, (Notes 8, 14)	-0.1	± 0.06	+0.1	dB
Insertion loss						
Two-wire to four-wire, $G_{2,4}$	6	0 dBu, 1 kHz, $E_{RX} = 0$, (Notes 7, 9)	-0.15	± 0.1	+0.15	dB
Four-wire to two-wire, $G_{4,2}$	6	0 dBu, 1 kHz, $E_L = 0$, (Notes 8, 9)	-0.15	± 0.1	+0.15	dB
Four-wire to four-wire, $G_{4,4}$	6	0 dBu, 1 kHz, $E_L = 0$, (Notes 8, 9)	-0.15	± 0.1	+0.15	dB
Gain tracking						
Two-wire to four-wire (Note 7) and Four-wire to two-wire (Note 8)	6	Referenced to -10 dBu, 1 kHz +3 dBu to -30 dBu -30 dBu to -55 dBu	-0.1	± 0.1	+0.1	dB dB

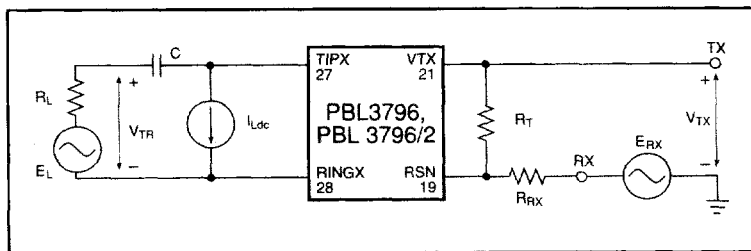


Figure 6. Frequency response, insertion loss, gain tracking, idle channel noise, THD, inter-modulation.
 $1/\omega C \ll R_L$
 $R_L = 600 \Omega$
 $R_T = 60$ k Ω , $R_{RX} = 30$ k Ω .

Parameter	Ref fig	Conditions	Min	Typ	Max	Unit
Noise						
Idle channel noise at two-wire (TIPX-RINGX) or four-wire (VTX) port	6	$E_{RX} = E_L = 0$, Notes 2, 10, 14 C-msg weighting Psophometrical weighting		10 -80	14 -76	dBrnC dBup
Single frequency out-of-band noise (Note 11)						
Metallic, V_{TR}	7	$12 \text{ kHz} \leq f \leq 1 \text{ MHz}$		-58	-55	dBV
Longitudinal, V_{Lo}	7	$12 \text{ kHz} \leq f \leq 90 \text{ kHz}$		-68	-63	dBV
Longitudinal, V_{Lo}	7	$90 \text{ kHz} \leq f \leq 1 \text{ MHz}$		-53	-50	dBV
Total harmonic distortion						
Two-wire to four-wire, Four-wire to two-wire	6	$0.3 \text{ kHz} \leq f \leq 3.4 \text{ kHz}$ 0 dBu, 1 kHz test signal, Note 2		-64	-50	dB
Intermodulation						
Type $2f_1 - f_2$	6	$0.3 \text{ kHz} < f_1, f_2 < 3.4 \text{ kHz}$, Level $f_1 = \text{level } f_2 = -25 \text{ to } 0 \text{ dBv}$ $f_1 \neq nf_2, f_2 \neq nf_1$, Note 2 $E_{RX} = 0$ $E_L = 0$		-60 -60	-50 -50	dB dB
Two-wire to four-wire Four-wire to two-wire						
Type $f_1 \pm 50 \text{ Hz}$	6	$0.3 \text{ kHz} < f_1 < 3.4 \text{ kHz}$ Level 50 Hz = level $f_1 - 14 \text{ dB}$, Level $f_1 = -15 \text{ dBv to } 0 \text{ dBv}$ $f_1 \neq n \cdot 50 \text{ Hz}$, Note 2 $E_{RX} = 0$		-65	-50	dB
Two-wire to four-wire						
Battery feed characteristics						
Apparent battery voltage, E_{BAP}		Active state Active, polarity reversal state	47.5 -52.5	50 -50	52.5 -47.5	V V
Feed resistance (R_{Feed}) to programming resistance ($R_{DC1} + R_{DC2}$) conversion factor, K_1		Active and active, polarity reversal state	4.75	5.00	5.25	Ratio
		$K_1 = \frac{R_{DC1} + R_{DC2}}{R_{Feed}}$				
Active state short circuit loop current, I_{LShAct}		$R_{DC1} + R_{DC2} = 2.5 \text{ k}\Omega$ $I_{LShAct} = \frac{R_{DC1} + R_{DC2}}{145}$	53	59	65	mA
Active state loop current limiting threshold, $I_{LLimAct}$		$R_{DC1} + R_{DC2} = 2.5 \text{ k}\Omega$ $I_{LLimAct} = \frac{115}{R_{DC1} + R_{DC2}}$, Note 12		46		mA
Active state line current		$V_{Bar} = -43.5 \text{ V to } -58.0 \text{ V}$ $Z_L = 20000 \Omega$ $R_{DC1} + R_{DC2} = 2.5 \text{ k}\Omega$	16			mA
Stand-by state short circuit loop current, I_{LShSb}		$R_{DC1} + R_{DC2} = 2.5 \text{ k}\Omega$ $I_{LShSb} = \frac{80}{R_{DC1} + R_{DC2}}$	26	32	38	mA
Stand-by state loop current limiting threshold, I_{LLimSb}		$R_{DC1} + R_{DC2} = 2.5 \text{ k}\Omega$ $I_{LLimSb} = \frac{45}{R_{DC1} + R_{DC2}}$, Note 12		18		mA

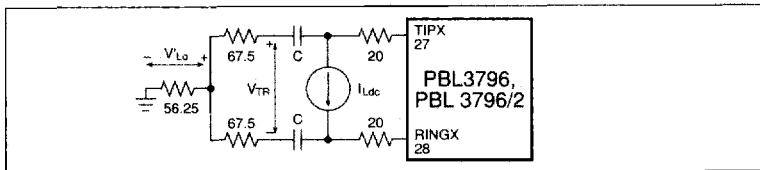


Figure 7. Single-frequency out of band noise.
Resistance values in Ω ,
 $V_{Lo} = 1.6 \cdot V'_{Lo}$
 $1/\omega C \ll 100 \Omega$

Parameter	Ref fig	Conditions	Min	Typ	Max	Unit
Tip open circuit state						
TIPX current, I_{LTLKTo}	8	Tip open circuit state $V_{Bat} > V_{TTo} > 0$	-100	±5	100	μA
RINGX current, I_{LRT0}	8	Tip open circuit state $R_{LRGnd} = 0 \Omega$ $R_{LRGnd} = 2.5 k\Omega$ $V_{Bat} = -63 V$ $V_{Bat} = -48 V$	23 16	35 18	50	mA mA
RINGX voltage, V_{RTo}	8	$I_{LRT0} < 20 mA$	$V_{Bat}+1$	$V_{Bat}+4$	$V_{Bat}+6$	V
Loop current detector						
Loop current detector conversion factor On-hook to off-hook, K_{LThOf}		$I_{LThOf} = K_{LThOf}/R_D$ Active, stand-by, polarity reversal state Tip open circuit state. Note 15	395 745	465 930	535 1115	V V
Loop current detector conversion factor Off-hook to On-hook, K_{LThOn}		$I_{LThOn} = K_{LThOn}/R_D$ Active, stand-by, polarity reversal state Tip open circuit state. Note 15.	348 655	410 820	472 985	V V
Loop current detector conversion factor Hysteresis, K_{LTh}		Active, stand-by and polarity reversal state. Note 16.	20	55	90	V
Dial pulse distortion		10 pps, Off-hook: 900 Ω On-hook: ∞ Ω		1	5	%
Ring trip comparator inputs (DT, DR)						
Offset voltage, ΔV_{DTR}	9	$V_{Bat} + 1 V < V_{DT}, V_{DR} < -2 V$ $R = 0 k\Omega$ $R = 200 k\Omega$	-20 -40	±10 ±10	20 40	mV mV
Input offset current, ΔI_B	9	$V_{Bat} + 1 V < V_{DT}, V_{DR} < -2 V$		0.05	1	μA
Input bias Current, I_B	9	$V_{Bat} + 1 V < V_{DT}, V_{DR} < -2 V$, $I_B = (I_{DT} + I_{DR})/2$		0.1	1	μA
Input resistance unbalanced, R_{DT}, R_{DR}		$V_{Bat} + 1 V < V_{DT}, V_{DR} < -2 V$	1			MΩ
balanced, R_{DTR}			3			MΩ
Common mode range, V_{DT}, V_{DR}			$V_{Bat}+1$		-2	V

Figure 8. Tip open circuit state.

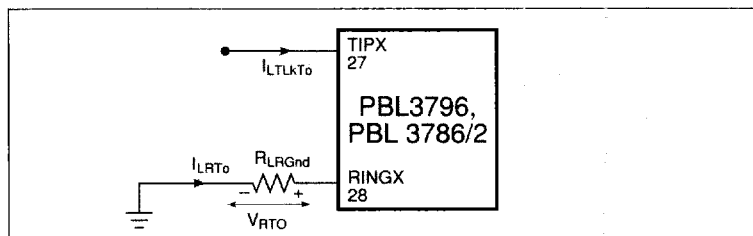


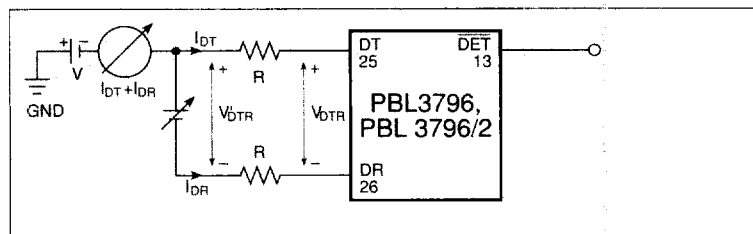
Figure 9. Ring trip comparator.

$$2V < V < |V_{Bat} + 1|,$$

$$\frac{I_{DT} + I_{DR}}{2} = I_B'$$

$$V'_{DTR} = \Delta V_{DTR}'$$

$$\Delta I_B = \frac{V'_{DTR} - V_{DTR}}{R}$$



Parameter	Ref fig	Conditions	Min	Typ	Max	Unit
Relay driver outputs (RINGRLY, TESTRLY)						
On state voltage, V_{TRly}, V_{RRly}		$I_{TRly}, I_{RRly} = 25 \text{ mA}$ $0^\circ\text{C} < T_{Amb} < 25^\circ\text{C}$ $25^\circ\text{C} < T_{Amb} < 70^\circ\text{C}$	$V_{CC} - 2.0$ $V_{CC} - 1.8$	$V_{CC} - 1.8$ $V_{CC} - 1.6$	$V_{CC} - 1.0$	V
Off state leakage current, I_{TRly}, I_{RRly}		$V_{TRly}, V_{RRly} = V_{Bat}$		5	100	μA
Clamp voltage		$I_{TRly}, I_{RRly} = 25 \text{ mA}$	$V_{Bat} - 3$		$V_{Bat} - 1$	V
Digital inputs (C1-C4, E0, CHCLK)						
Input low voltage, V_{IL}					0.8	V
Input high voltage, V_{IH}			2.0			V
Input low current, I_{IL}		$V_{IL} = 0.4 \text{ V}$	-0.4			mA
Input high current, I_{IH}		$V_{IH} = 2.4 \text{ V}$			40	μA
Digital output (DET)						
Output low voltage, V_{OL}		$I_{OL} = 1.0 \text{ mA}$			0.45	V
Output high voltage, V_{OH}		$I_{OH} = -0.1 \text{ mA}$	2.4			V
Resistive pull-up			12	15	18	k Ω
Switch mode regulator transistor output (L)						
Switch transistor saturation voltage, V_{ISat}		$I_L = 100 \text{ mA}$, Note 17			1.5	V
Leakage current, I_{Lk}		$V_I = 0 \text{ V}$			200	μA
Switch mode regulator clock input (CHCLK)						
Clock frequency, f_{CHCLK}			253	256	259	kHz
Rise and fall time					50	ns
Duty cycle ratio			46		54	%
Power supply rejection ratio (PSRR)						
V_{CC} to two-wire port and V_{CC} to four-wire port rejection ratio, $PSRR_{CC}$		saturation guard off 50 Hz < f < 4 kHz 4 kHz < f < 50 kHz	35 30			dB dB
		saturation guard on 50 Hz < f < 4 kHz Note 18	20			dB
V_{EE} to two-wire port and V_{EE} to four-wire port rejection ratio, $PSRR_{EE}$		50 Hz < f < 4 kHz 4 kHz < f < 50 kHz Note 18	10 0			dB dB
V_{Bat} to two-wire port and V_{Bat} to four-wire port rejection ratio, $PSRR_{Bat}$		50 Hz < f < 4 kHz 4 kHz < f < 50 kHz Note 18	25 20			dB dB
Power supply currents (relay drivers off)						
V_{CC} supply current, I_{CC}		On- or off-hook, active state		8	12	mA
V_{EE} supply current, $ I_{EE} $		On- or off-hook, active state		6	9	mA
V_{Bat} supply current, $ I_{Bat} $		On-hook, active state		3.5	6	mA
Power dissipation						
On-hook total dissipation, P_{OnHo}		$V_{Bat} = -48 \text{ V}$, Open circuit state		60	100	mW
On-hook total dissipation, P_{OnSt}		$V_{Bat} = -48 \text{ V}$, Stand-by state		190	250	mW
On-hook total dissipation, P_{OnAct}		$V_{Bat} = -48 \text{ V}$, Active state		275	350	mW
Off-hook total dissipation, P_{OffH}		$V_{Bat} = -48 \text{ V}$, Active state $R_L = 600 \Omega$, $R_{Feed} = 500 \Omega$ Note 19		750	1000	mW
Temperature guard						
Junction temperature at threshold, T_{JG}				140		$^\circ\text{C}$
Temperature guard hysteresis, ΔT_{JG}				10		$^\circ\text{C}$

Notes

1. The overload level is specified at the two-wire port with the signal source at the four-wire receive port, i.e. $E_L = 0$ in figure 2.

2. dBm is the ratio between power level P and a 1 mW reference power level, expressed in decibels, i.e.

$$dBm = 10 \cdot \log_{10} \frac{P}{1 \text{ mW}}$$

dBu is the ratio between voltage Vrms and a 0.775 Vrms reference, expressed in decibels, i.e.

$$dBu = 20 \cdot \log_{10} \frac{V_{rms}}{0.775 \text{ Vrms}}$$

dBu = dBm at impedance level 600 Ω

dBv is the ratio between voltage V and a 1 V reference, expressed in decibels, i.e.

$$dBv = 20 \cdot \log_{10} \frac{V}{1 \text{ V}}$$

dBup is the ratio between voltage V_p , measured via a psophometrical filter and a 0.775 Vrms reference, expressed in decibels, i.e.

$$dBup = 20 \cdot \log_{10} \frac{V_p}{0.775 \text{ Vrms}}$$

dBmC is the ratio between power level P_c , measured via a C-message filter and a 1 pW reference power level, expressed in decibels, i.e.

$$dBmC = 10 \cdot \log_{10} \frac{P_c}{1 \text{ pW}}$$

3. The two-wire impedance, Z_{TRX} , is programmable by selection of external component values according to:

$$Z_{TRX} = Z_T / (G_{2,4} \cdot \alpha)$$

where:

Z_{TRX} = impedance between the TIPX and RINGX terminals

Z_T = programming network between the VTX and RSN terminals

$G_{2,4}$ = TIPX-RINGX to VTX gain, nom. = 1 (0 dB ±0.15 dB)

α = receive current gain, nominally = 100 (40 dB ±0.15 dB)

The fuse resistors R_f add to the impedance presented by the SLIC at terminals TIPX and RINGX for a total two-wire impedance of $Z_{TR} = Z_{TRX} + 2R_f$.

4. Normal polarity is defined as the tip lead being at a more positive potential than the ring lead. Reversed polarity is defined as the ring lead being at a more positive potential than the tip lead.

5. Higher return loss values can be achieved by adding a reactive component to R_T , the two-wire terminating impedance programming resistor, e.g. by dividing R_T into two equal halves and connecting a capacitor from the common point to ground. For $R_T = 60 \text{ k}\Omega$ the capacitance value is approximately 330 pF.

6. The overload level, V_{TXO} , is specified at the four-wire transmit port, VTX, with the signal source at the two-wire port. Note that the gain from the two-wire port to the four-wire transmit port is $G_{2,4} = 1$.

7. The level is specified at the two-wire port.

8. The level is specified at the four-wire receive port (RSN).

9. Fuse resistors R_{F1} and R_{F2} impact the insertion loss as explained in the text, section Transmission. The specified insertion loss is for $R_{F1} = R_{F2} = 0 \Omega$.

10. The two-wire idle noise is specified with the port terminated in 600 Ω (R_L) and with the four-wire receive port grounded ($E_{RX} = 0, E_L = 0$; see figure 6).

The four-wire idle noise at VTX is specified with the two-wire port terminated in 600 Ω (R_L). The four-wire receive port is grounded ($E_{RX} = 0, E_L = 0$; see figure 6).

The idle channel noise degrades by approximately 5 dB when the saturation guard is active. Refer to section Battery feed for a description of the saturation guard.

11. These specifications are valid for a longitudinal impedance of 90 Ω and a metallic impedance of 135 Ω.

12. When the loop current exceeds the limiting threshold the line feed changes from resistive feed ($R_{Feed} = (R_{DC1} + R_{DC2})/5$) to nearly constant current feed.

14. This parameter degrades when the saturation guard is active.

15. Refer to Loop Monitoring Function, Loop current detector - active state and Loop current detector - tip open state.

16. The loop current detector threshold hysteresis is a function of the R_0 value. Refer to note 15 above.

17. V_{sat} is the voltage across the saturated transistor, i.e. between terminals VBAT and L.

18. Power supply rejection ratio test signal is 100 mVrms (sinusoidal).

19. Fuse resistor $R_{F1} = R_{F2} = 0 \Omega$.

Pin Description

DIP: 28-pin plastic dual in-line. PLCC: 32-pin or 44-pin plastic leaded chip carrier. Refer to figure 10.

44PLCC	32PLCC	PDIP	Symbol	Description
1	—	—	NC	No internal connection. Note 1.
2	1	1	GND2	Ground. No internal connection to GND1. Note 2.
3	2	2	VREG	Regulated negative voltage for power amplifiers. The switch-mode regulator inductor, filter capacitor and RC stabilization network connect to this pin.
4	3	3	VCC	+5 V power supply.

44PLCC	32PLCC	PDIP	Symbol	Description
5	—	—	NC	No internal connection. Note 1.
—	5	—	TP	TP is a thermal conduction pin tied to substrate (Q_{bat}). Note 3.
6	4	4	RINGRLY	Ring relay driver output. Sources up to 80 mA from Vcc.
7	6	5	TESTRLY	Test relay driver output. Sources up to 80 mA from Vcc.
8	7	6	L	Switch-mode regulator drive transistor output. The 1 mH inductor and the catch diode connect to this pin. These components must be connected with shortest possible lead lengths. The catch diode, including connecting leads, must exhibit a low inductance to clamp effectively, when the regulator switch opens.
9	—	—	NC	No internal connection. Note 1.
10	8	7	VBAT	Battery supply voltage. Negative with respect to GND2.
11	9	8	VQBAT	Quiet battery. An external filter capacitor connects between this pin and GND1 to provide filtered battery supply to signal processing circuits.
12	10	9	CHS	Switch-mode regulator stabilization network input. From this pin a capacitor connects to GND1 and a series RC network to VREG.
13	—	—	NC	No internal connection. Note 1.
14	11	10	CHCLK	Switch-mode regulator TTL compatible clock input. Nominal frequency: 256 kHz
15	—	—	NC	No internal connection. Note 1.
16	12	11	C4	C1, C2, C3 and C4 are TTL compatible decoder inputs controlling the SLIC operating states.
17	13	—	NC	No internal connection. Note 1.
18	—	—	NC	No internal connection. Note 1.
19	14	12	E0	Detector output enable. A logic high level enables the $\overline{\text{DET}}$ output. A logic low level disables the $\overline{\text{DET}}$ output. TTL compatible input. The dual-in-line package has the $\overline{\text{DET}}$ output permanently enabled.
20	15	13	$\overline{\text{DET}}$	Detector output. Inputs C1...C3 and E1 select the detector to be connected to this output. When $\overline{\text{DET}}$ is enabled via E0 a logic low level indicates that the selected detector is tripped. The $\overline{\text{DET}}$ output is open collector with internal pull-up resistor (15 kohms) to VCC. When disabled, $\overline{\text{DET}}$ thus appears to be a resistor connected to V_{CC} .
21	16	14	C2	Refer to pin C4 description.
22	17	15	C3	Refer to pin C4 description.
23	18	16	C1	Refer to pin C4 description.
24	—	—	NC	No internal connection. Note 2.
25	—	—	RSG	Saturation guard programming input. A resistor, R_{SG} , between pins RSG and VEE adjusts the saturation guard for operation with V_{Bat} from -64 V to -46 V, see battery feed section.
26	19	17	RDC	Dc loop feed resistance is programmed by two resistors connected in series from this pin to the receive summing node, RSN. The resistor junction point is decoupled to GND1 to filter noise and other disturbances before reaching the RSN input. V_{RDC} polarity is negative for normal tip-ring polarity and positive for reversed tip-ring polarity. $ V_{\text{RDC}} = (V_{\text{Tdc}} - V_{\text{Rdc}})/20) - 2.5V $.
27	20&21	18	GND1	Ground. No internal connection to GND2. Note 2.
28	—	—	NC	No internal connection. Note 1.
29	22	19	RSN	Receive summing node. 100 times the current (dc and ac) flowing into this pin equals the metallic (transversal) current flowing between the TIPX and RINGX terminals. Programming networks for feed resistance, 2-wire impedance, and receive gain connect to the receive summing node.
30	—	—	NC	No internal connection. Note 1.
31	23	20	VEE	-5 V power supply.
32	24	21	VTX	Transmit vf output. The ac voltage difference between TIPX and RINGX, the ac metallic voltage, is reproduced as an unbalanced GND1 referenced signal at VTX with a gain of one. The two-wire impedance programming network connects between VTX and RSN.
33	—	—	NC	No internal connection. Note 1.

44PLCC	32PLCC	PDIP	Symbol	Description
34	25	22	HPT	Tip side (HPT) of ac/dc separation capacitor.
35	26	23	HPR	Ring side (HPR) of ac/dc separation capacitor.
36	—	—	NC	No internal connection. Note 1.
37	27	24	RD	Loop current detector programming resistor, R_D , connects from RD to V_{EE} . A filter capacitor C_o may be connected from RD to GND1.
38	28	25	DT	Inverting ring trip comparator input.
39	—	—	NC	No internal connection. Note 1.
—	29	—	TP	TP is a thermal conduction pin tied to substrate (Q_{Bat}). Note 3.
40	30	26	DR	Non-inverting ring trip comparator input.
41	—	—	$TIPX_{Sense}$	$TIPX_{Sense}$ is internally connected to TIPX. $TIPX_{Sense}$ is used during manufacturing, but requires no connection in SLIC applications, i.e. leave open.
42	31	27	TIPX	The TIPX pin connects to the tip lead of the 2-wire line interface via overvoltage protection components, ring and test relays.
43	32	28	RINGX	The RINGX pin connects to the ring lead of the 2-wire line interface via overvoltage protection components, ring and test relays.
44	—	—	$RINGX_{Sense}$	$RINGX_{Sense}$ is internally connected to RINGX. $RINGX_{Sense}$ is used during manufacturing, but requires no connection in SLIC applications, i.e. leave open.

Notes

1. The GND1 and GND2 pins should be connected together via a direct printed circuit board trace.
2. Pins marked NC are not internally connected. It is recommended to connect these pins to ground.
3. For 32 pin PLCC, these pins (5 and 29) should be connected to V_{Bat} heatsink.

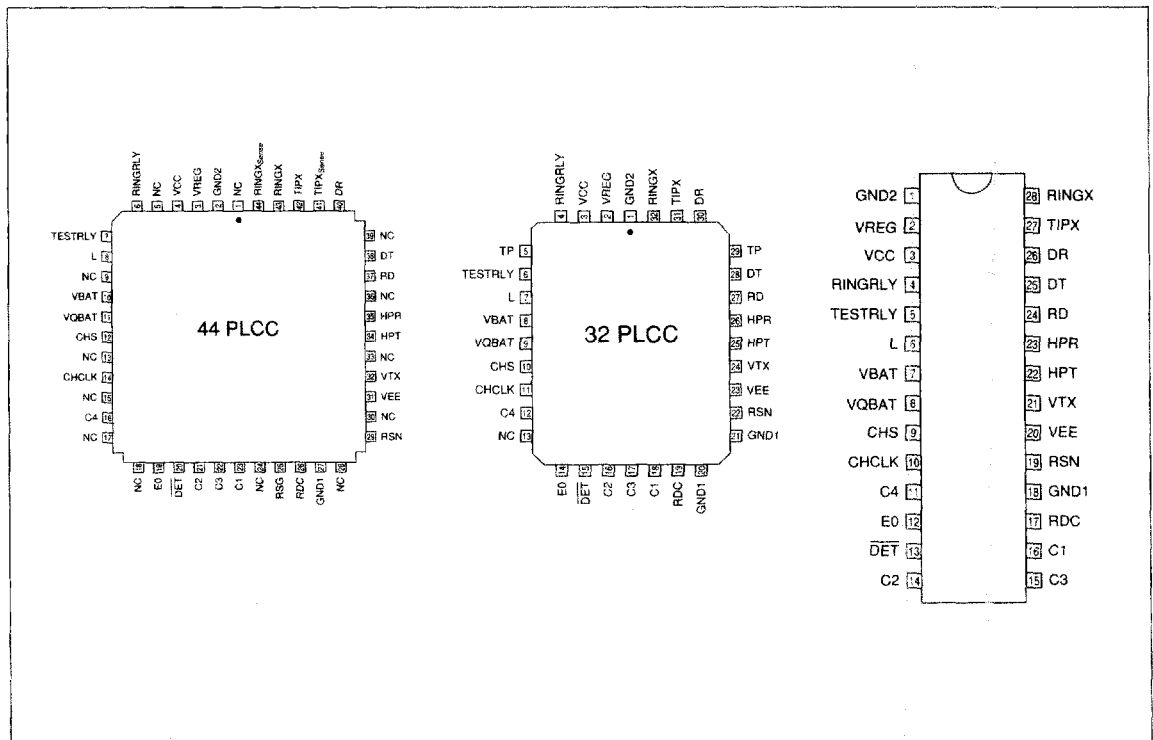


Figure 10. Pin configuration, top view. 32-pin or 44-pin j-leaded chip carrier (32 PLCC, 44 PLCC) and 28-pin dual-in-line.

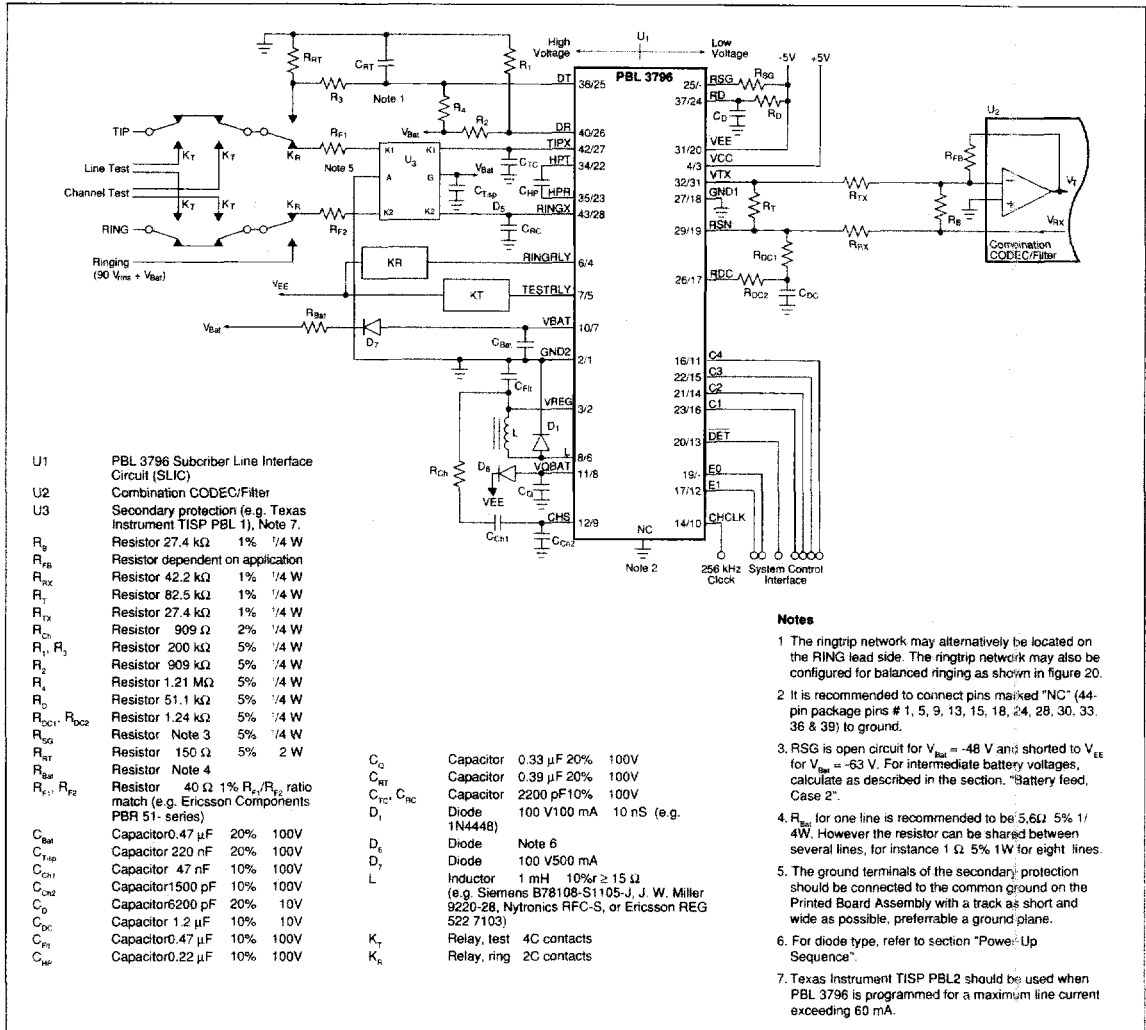


Figure 11. PBL 3796 application example.

Functional Description and Applications Information
Transmission

Overview

A simplified ac model of the transmission circuits is shown in figure 12. Neglecting the impact of the filters in figure 12 for frequencies from 300 Hz to 3.4 kHz (i.e. filter gain = 1), circuit analysis yields:

$$V_{TR} = V_{TX} + I_L \cdot 2R_F \quad (1)$$

$$\frac{V_{TX}}{Z_T} + \frac{V_{RX}}{Z_{RX}} = \frac{I_L}{100} \quad (2)$$

$$V_{TR} = E_L - I_L \cdot Z_L \quad (3)$$

where:

V_{TX} is the ground referenced, unity gain version of the ac metallic (transversal) voltage between the TIPX and RINGX terminals, i.e. $V_{TX} = 1 \cdot V_{TRX}$.

V_{TR} is the ac metallic voltage between tip and ring.

E_L is the line open circuit ac metallic voltage.

I_L is the ac metallic current.

R_F is the overvoltage protection current limiting resistor.

Z_L is the line impedance.

Z_T is the programming network for the TIPX to RINGX impedance.

Z_{RX} controls the four-wire to two-wire gain.

V_{RX} is the analog ground referenced receive signal.

From equations (1), (2) and (3) expressions for two-wire impedance, two-wire to four-wire gain, four-wire to two-wire gain and four-wire to four wire gain may be derived.

Two-wire Impedance

To calculate Z_{TR} , the impedance presented to the 2-wire line by the SLIC, including the resistors R_F , let $V_{RX} = 0$.

From (1) and (2):

$$Z_{TR} = \frac{Z_T}{100} + 2R_F$$

Since Z_{TR} and R_F are known Z_T may be calculated from

$$Z_T = 100 \cdot (Z_{TR} - 2R_F)$$

Example: calculate Z_T to make the terminating impedance $Z_{TR} = 900 \Omega$ in series with $2.16 \mu F$. $R_F = 40 \Omega$.

Using the expression above

$$Z_T = 100 \cdot (900 + \frac{1}{j\omega \cdot 2.16 \cdot 10^{-6}} - 2 \cdot 40)$$

$$= 82 \cdot 10^3 + \frac{1}{j\omega \cdot 21.6 \cdot 10^{-9}}$$

i.e. $Z_T = 82 \text{ k}\Omega$ in series with 21.6 nF . It is always necessary to have a high ohmic resistor in parallel with the capacitor. This gives a DC-feedback loop for low frequency which ensure stability and reduces noise.

Two-wire to Four-wire Gain

The two-wire to four-wire gain, $G_{2 \rightarrow 4}$, can be obtained from (1) and (2) with

$$V_{RX} = 0;$$

$$G_{2 \rightarrow 4} = \frac{V_{TX}}{V_{TR}} = \frac{Z_T/100}{Z_T/100 + 2R_F}$$

Four-wire to Two-wire Gain

The four-wire to two-wire gain, $G_{4 \rightarrow 2}$, is derived from (1), (2) and (3) with $E_L = 0$:

$$G_{4 \rightarrow 2} = \frac{V_{TR}}{V_{RX}} = - \frac{Z_T}{Z_{RX}} \cdot \frac{Z_L}{Z_T/100 + 2R_F + Z_L}$$

Four-wire to Four-wire Gain

The four-wire to four-wire gain, $G_{4 \rightarrow 4}$, is derived from (1), (2) and (3) with $E_L = 0$:

$$G_{4 \rightarrow 4} = \frac{V_{TX}}{V_{RX}} = - \frac{Z_T}{Z_{RX}} \cdot \frac{Z_L + 2R_F}{Z_T/100 + 2R_F + Z_L}$$

Hybrid Function

The PBL 3796 SLIC forms a particularly flexible and compact line interface when used together with a Siemens Codec Filter Circuit (SiCoFi) or other similar programmable CODEC/filter. The SiCoFi allows for system controller adjustment of hybrid balance to accommodate different line impedances without change of hardware. The SiCoFi also permits the system controller to adjust transmit and receive gains as well as terminating impedance. Refer to SiCoFi or similar programmable CODEC/filter data sheets for design information.

The hybrid function in an implementation utilizing the uncommitted amplifier in

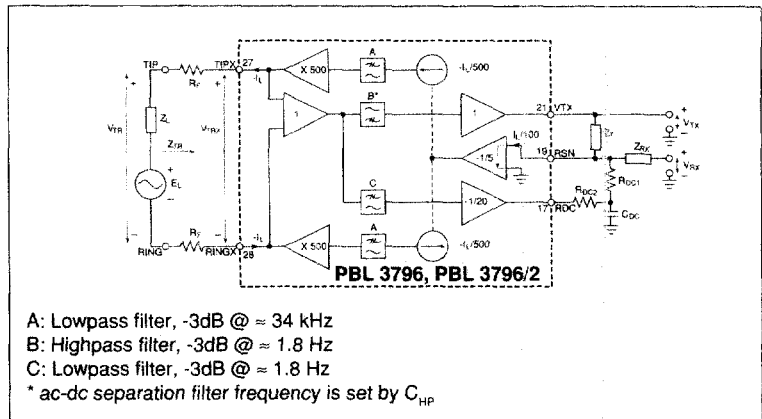


Figure 12. Simplified ac transmission circuit.

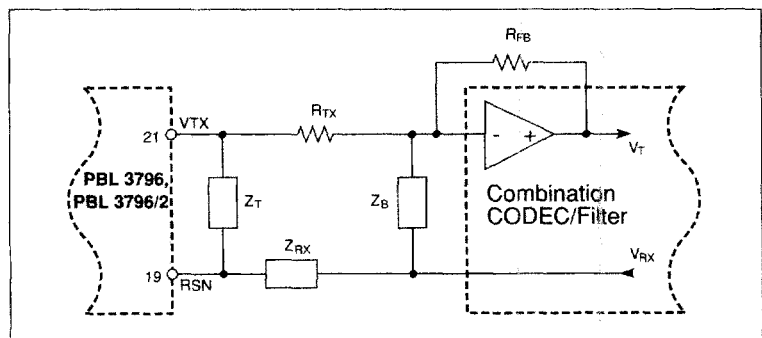


Figure 13. Hybrid function.

a conventional CODEC/filter combination is shown in figure 13. Via impedance Z_B a current proportional to V_{RX} is injected into the summing node of the combination CODEC/filter amplifier. As can be seen from the expression for the four-wire to four-wire gain a voltage proportional to V_{RX} is returned at VTX. This voltage is converted by R_{TX} to a current flowing into the same summing node. These currents can be made to cancel each other by letting:

$$\frac{V_{TX}}{R_{TX}} + \frac{V_{RX}}{Z_B} = 0 \quad (E_L = 0)$$

Substituting the four-wire to four-wire gain expression, $G_{4,4}$, for V_{RX}/V_{TX} yields the formula for the balance network:

$$Z_B = -R_{TX} \cdot \frac{V_{RX}}{V_{TX}} = R_{TX} \cdot \frac{Z_{RX}}{Z_T} \cdot \frac{Z_T/100 + 2R_F + Z_L}{Z_L + 2R_F}$$

Example: $Z_{TR} = Z_L = 600 \Omega$ (R_L) in series with $2.16 \mu F$ (C_L) $R_F = 40 \Omega$, $R_{TX} = 27.4 \text{ k}\Omega$, $G_{4,2} = -1$. Calculate Z_B .

Using the Z_B formula above:

$$Z_B = \{Z_L = Z_{TR}\} = R_{TX} \cdot \frac{Z_{RX}}{Z_T} \cdot \frac{2Z_L}{Z_L + 2R_F} = \{G_{4,2} = -1\} = R_{TX} \cdot \frac{Z_L}{Z_L + 2R_F} = R_{TX} \cdot \frac{1 + j\omega \cdot R_L \cdot C_L}{1 + j\omega \cdot (R_L + 2R_F) \cdot C_L}$$

A network consisting of R_{B1} in series with the parallel combination of R_B and C_B has the same form as the required balance network, Z_B . Basic algebra yields:

$$R_{B1} = R_{TX} \cdot \frac{R_L}{R_L + 2R_F} = 25.2 \text{ k}\Omega$$

$$R_B = R_{TX} \cdot \frac{2R_F}{R_L + 2R_F} = 2237 \Omega$$

$$C_B = \frac{(R_L + 2R_F)^2 \cdot C_L}{R_{TX} \cdot 2R_F} = 0.95 \mu F$$

Longitudinal Impedance

A feedback loop counteracts longitudinal voltages at the two-wire port by injecting longitudinal currents in opposing phase. Therefore longitudinal disturbances will appear as longitudinal currents and the TIPX and RINGX terminals will experience very small longitudinal voltage excursions well within the SLIC common mode range. This is accomplished by comparing the instantaneous two-wire longitudinal voltage to an internal reference voltage, V_{LoRef} . As shown below, the SLIC appears as 20Ω to ground per wire to longitudinal disturbances. It should be noted, that longitudinal currents may exceed the dc loop current without disturbing the vf transmission. From figure 14 the longitudinal impedance can be calculated:

$$\frac{V_{Lo}}{I_{Lo}} = \frac{R_{Lo}}{100} = 20 \Omega$$

where:

V_{Lo} is the longitudinal voltage

I_{Lo} is the longitudinal current

$R_{Lo} = 2 \text{ k}\Omega$ sets the longitudinal impedance

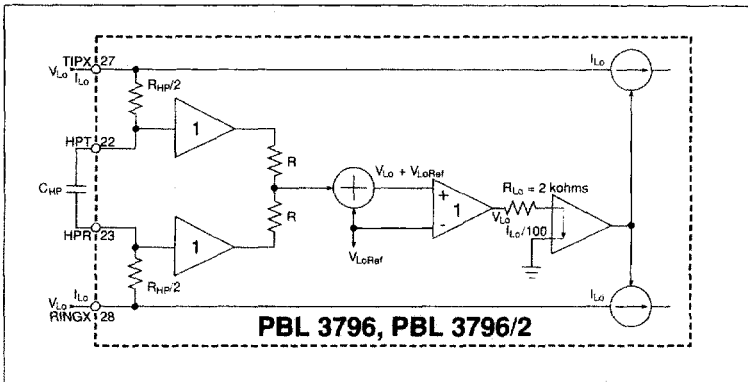


Figure 14. Longitudinal feedback loop. $V_{LoRef} = (V_{Tjp} + V_{Ring})/2$ (without any longitudinal voltage component).

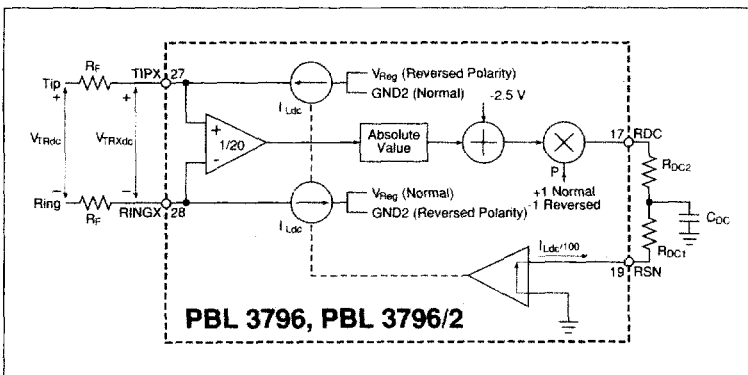


Figure 15. Battery feed.

Ac - dc Separation Capacitor

The high pass filter capacitor connected between terminals HPT and HPR provides separation between circuits sensing TIPX-RINGX dc conditions and circuits processing vf signals. The recommended C_{HP} capacitance value of 220 nF will position the 3 dB break point at 1.8 Hz .

Capacitor C_{TC} and C_{RC}

The capacitors designated C_{TC} and C_{RC} in figure 11, connected between TIPX and ground as well as between RINGX and ground, are recommended as an addition to the overvoltage protection network. Very fast transients, appearing on tip and ring, may pass by the diode and SCR clamps in the overvoltage protection and could damage the SLIC. C_{TC} and C_{RC} short such very fast transients to ground. The recommended value for C_{TC} and C_{RC}

is 2200 pF. Higher capacitance values may be used, but care must be taken to prevent degradation of either longitudinal balance or return loss. C_{TC} and C_{RC} contribute a metallic impedance of $1/(\pi \cdot f \cdot C_{TC}) \approx 1/(\pi \cdot f \cdot C_{RC})$, a TIPX to ground impedance of $1/(2 \cdot \pi \cdot f \cdot C_{TC})$ and a RINGX to ground impedance of $1/(2 \cdot \pi \cdot f \cdot C_{RC})$.

Battery Feed

Overview

The PBL 3796 SLIC synthesizes a resistive battery feed system with loop current limiting on short loops. A switch-mode regulator efficiently down-converts the battery supply voltage to reduce power dissipation. The down-converted voltage is applied to the line drive amplifiers and is automatically adjusted to be precisely enough to feed the loop current as well as to allow distortion free signal transmission.

The synthesized battery feed is a 50 V source in series with a programmable feed resistance. The apparent 50 V battery is independent of actual supply voltage connected to the SLIC. The SLIC feed resistance is set via scaled, external resistors. For short loops the battery feed is quasi-constant current.

The battery feed polarity can be set to either normal or reversed polarity via the SLIC digital control inputs.

To permit the line drive amplifiers to operate without signal distortion even on high resistance or open circuit loops, a

saturation guard circuit limits the loop voltage, when the tip to ring dc voltage approaches the available battery supply voltage.

With the SLIC set to the stand-by state, power is further conserved by limiting the short circuit loop current to approximately 55% of the active state short circuit current.

The following paragraphs describe the battery feed circuit in detail. At the end of this section a paragraph, "Battery feed circuit programming procedure," summarizes the few simple calculations necessary to program the battery feed.

Case 1: SLIC in the active or active polarity reversal state; $|V_{TRdc}| < V_{SGRef}$ $|V_{Bat}| > V_{SGRef} + 12 \text{ V}$

In the active state C3, C2, C1 = 0, 1, 0 and in the active polarity reversal state C3, C2, C1 = 1, 1, 0.

The battery feed control loop is shown in block diagram form in figure 15. For tip to ring dc voltages less than the saturation guard reference voltage, V_{SGRef} (refer to Case 2) and for loop currents less than the loop current limiting threshold, $I_{LLimAct}$ the following expression, obtained from the block diagram for $R_F = 0$, describes the loop feed:

$$\left(\sqrt{V_{TRdc}} \cdot \frac{1}{20} \right) \cdot p \cdot \frac{1}{R_{DC1} \cdot R_{DC2}} \cdot 100 = -I_{Ldc}$$

where

V_{TRdc} is the tip to ring dc voltage

I_{Ldc} is the dc loop current

R_{DC1} , R_{DC2} are the external feed resistance programming resistors

$p = 1$ for normal polarity and $p = -1$ for reversed polarity

By defining the feed resistance R_{Feed} as

$$R_{Feed} = \frac{R_{DC1} + R_{DC2}}{5}$$

and substituting into the above expression the familiar resistive battery feed formula is obtained:

$$I_{Ldc} = p \cdot \frac{50 \cdot |V_{TRdc}|}{R_{Feed}}$$

where 50 V is the apparent battery voltage, E_{BAP} .

The loop current may also be described as a function of loop resistance R_L since $V_{TRdc} = I_{Ldc} \cdot R_L$:

$$I_{Ldc} = p \cdot \frac{50}{R_L + R_{Feed}}$$

The loop current is limited when exceeding $I_{LLimAct}$, the loop current limiting threshold.

$$I_{LLimAct} = \frac{115}{R_{DC1} + R_{DC2}}$$

At $I_{LLimAct}$ the loop current is 0.5 mA less than predicted by the resistive battery feed formula described earlier in this section.

At the loop current limiting threshold, the loop resistance is

$$R_{LLimAct} = \frac{27 - (R_{DC1} + R_{DC2}) \cdot 10^{-4}}{5 \cdot 10^{-4} + 115 / (R_{DC1} + R_{DC2})}$$

At short circuit, i.e. $R_L = 0$ ohm, the

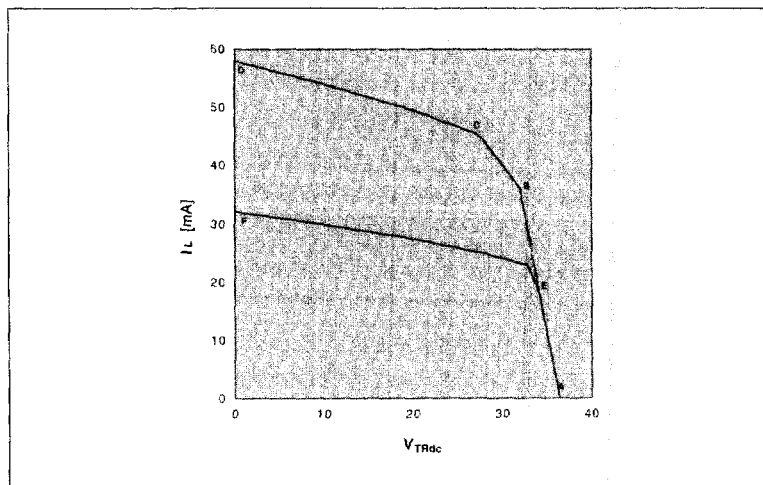
Figure 16. Battery feed example.

$R_{DC1} = R_{DC2} = 1.25 \text{ k}\Omega$,
 i.e. $R_{Feed} = 2 \cdot 250 \Omega$

$V_{Bat} = -48 \text{ V}$

Curve ABCD: active state

Curve AEF: stand-by state



loop current is limited to

$$I_{LShAct} = \frac{145}{R_{DC1} + R_{DC2}}$$

Loop currents between $I_{LLimAct}$ and I_{LShAct} may be calculated from

$$I_{Ldc} \approx \frac{1}{R_{DC1} + R_{DC2}} \left[145 - 30 \cdot \frac{R_L}{R_{LLimAct}} \right]$$

In figure 16, PBL 3796 battery feed examples, curve segments BC and CD are described by Case 1.

Case 2: SLIC in the Active or Active Polarity Reversal State;

$|V_{TRdc}| > V_{SGRef}$, $|V_{Bat}| > V_{TRdc} + 12V$
 In the active state C3, C2, C1 = 0, 1, 0 and in the active polarity reversal state C3, C2, C1 = 1, 1, 0.

When the tip to ring dc voltage approaches the V_{Bat} supply voltage, a circuit named saturation guard limits the two wire voltage to a small additional increase beyond the saturation guard threshold, V_{SGRef} . This is to maintain distortion free vf transmission through the line drive amplifiers. The saturation guard feature makes on-hook transmission possible.

The tip to ring voltage at which the saturation guard becomes active, V_{SGRef} , can be calculated from

$$V_{SGRef} = \frac{32.0}{1 - \frac{0.921}{R_{SG} + 2.73}}$$

where

V_{SGRef} is in volts for R_{SG} in kohms
 R_{SG} is a resistor connected between terminal RSG and -5V.

Note that the RSG terminal is available only on the 44-pin surface mount package. The 28-pin dual-in-line and 32-pin surface mount package have the saturation guard internally set to $V_{SGRef} = 32.0V$
 $R_{SG} = \text{open circuit}$ yields $V_{SGRef} = 32.0V$
 $R_{SG} = 0 \text{ ohm}$ yields $V_{SGRef} = 48.3V$

The loop current, I_{Ldc} , as a function of the loop voltage, V_{TRdc} for $V_{TRdc} > V_{SGRef}$ is described by

$$I_{Ldc} = \frac{V_{SGRef} - V_{TRdc}}{120} + \frac{50 - V_{SGRef}}{(R_{DC1} + R_{DC2}) / 5}$$

from which the open loop voltage ($I_L = 0$) is calculated to

$$V_{TRdc} (@ I_{Ldc} = 0) = V_{SGRef} + \frac{120 \cdot (50 - V_{SGRef})}{(R_{DC1} + R_{DC2}) / 5}$$

The open circuit voltage is then, for a programmed feed resistance of $2 \cdot 250 \Omega$, $36.3V$ for $R_{SG} = \text{open circuit}$ and $48.7V$ for $R_{SG} = 0 \Omega$.

In figure 16, PBL3796 battery feed examples, curve segment AB is described by case 2.

Case 3: SLIC in the Stand-by or Stand-by Polarity Reversal State;

$$|V_{TRdc}| < V_{SGRef}, |V_{Bat}| > V_{SGRef} + 12V$$

The stand-by operating states reduce power dissipation while the line is idle.

The loop feed in the stand-by state (C3, C2, C1 = 0, 1, 1) and in the stand-by polarity reversal state (C3, C2, C1 = 1, 1, 1) is similar to the active state loop feed, but with lower loop current limits. The stand-by state loop current limiting threshold is

$$I_{LLimSb} = \frac{45}{R_{DC1} + R_{DC2}}$$

The short circuit stand-by state loop current is

$$I_{LShSb} = \frac{80}{R_{DC1} + R_{DC2}}$$

Stand-by state loop resistance at the limit threshold, I_{LLimSb} , is

$$R_{LLimSb} = \frac{41 \cdot (R_{DC1} + R_{DC2}) \cdot 10^4}{5 \cdot 10^4 + 45 \cdot (R_{DC1} + R_{DC2})}$$

Stand-by state loop currents between I_{LLimSb} and I_{LShSb} may be calculated from

$$I_{Ldc} \approx \frac{1}{R_{DC1} + R_{DC2}} \left[80 - 35 \cdot \frac{R_L}{R_{LLim}} \right]$$

In figure 16, PBL 3796 battery feed examples, this corresponds to curve segment EF.

Case 4: SLIC in the TIPX Open Circuit State.

In the TIPX open circuit state C3, C2, C1 = 1, 0, 0. Refer to figure 8. In this state the TIPX terminal is set to high impedance, $>150 \text{ k}\Omega$. The RINGX terminal sinks a current $|I_{LRto}| > 20 \text{ mA}$ until the V_{Bat} voltage is approached, whereafter the RINGX terminal changes to become a constant voltage source. The constant voltage mode RINGX current can be calculated from

$$|I_{LRto}| = \frac{|V_{Bat} + 4|}{R_{LRGnd}}$$

where: R_{LRGnd} is the resistance between ground and ring lead.

C_{DC} Capacitor

Refer to the battery feed block diagram, figure 15. The battery feed programming resistors R_{DC1} and R_{DC2} together with capacitor C_{DC} form a low pass filter, which removes noise and vf signals from the battery feed control loop. The recommended 3 dB break point frequency is $160 \text{ Hz} < f_{3dB} < 240 \text{ Hz}$. The C_{DC} capacitance

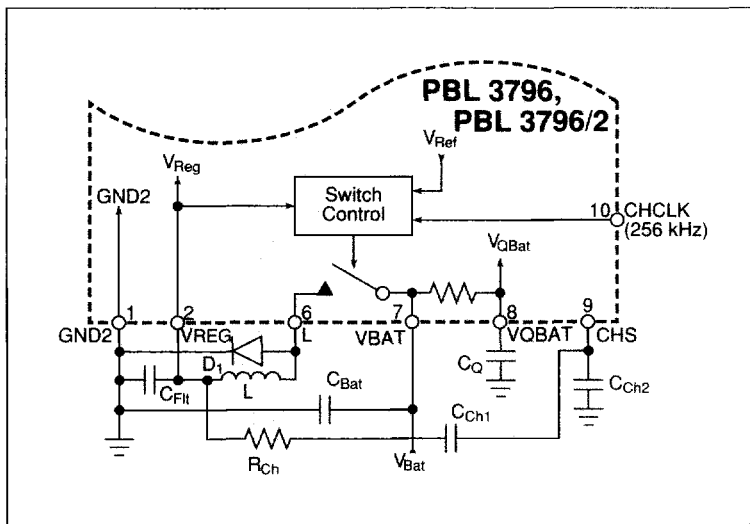


Figure 17. Switch mode regulator.

value is then calculated from:

$$C_{DC} = \frac{1}{2\pi \cdot f_{3dB}} \cdot \left[\frac{1}{R_{DC1}} + \frac{1}{R_{DC2}} \right]$$

Note that $R_{DC1} = R_{DC2}$ yields minimum C_{DC} capacitance value.

Switch Mode Regulator

The switch mode regulator down-converts the V_{Bat} supply voltage to a value, which is just enough for the line drive amplifiers to feed the required loop current and maintain transmission quality. Since the voltage conversion efficiency is high and the minimum required voltage drop across the line drive amplifiers is low, a significant power dissipation reduction is realized. A 2 x 400Ω resistive battery feed with 200 Ω line resistance and -48 V battery will have 1.84 W dissipated in the line feed resistors. The PBL 3796 set up for the same 2 x 400 Ω feed and with the same 200 Ω line resistance and -48 V, V_{Bat} would generate only 0.46 W in the line feed circuits (90% power conversion efficiency), i.e. a 1.38 W or 75% reduction in line card power dissipation.

Refer to figure 17 for a block diagram of the switch mode regulator. VBAT is the input voltage, which the regulator converts to VREG with high efficiency. V_{Reg} powers the line drive amplifiers. The switch mode regulator adjusts its V_{Reg} output to be equal to the reference voltage, V_{Ref} . The reference voltage is derived from the TIPX to RINGX dc metallic voltage according to

$$V_{Ref} = -(|V_{TRdc}| + V_{Bias})$$

where V_{Bias} is approximately 12 V.

Since V_{Bias} is the voltage drop across the line drive amplifiers, the SLIC power loss is greatly reduced compared to supplying the amplifiers directly from the V_{Bat} supply.

The battery supply voltage, $|V_{Bat}|$, must be larger than $|V_{Reg}|$, i.e. $|V_{Bat}| \geq |V_{TRdc}| + V_{Bias}$. If this condition is not met, the tip to ring voltage will be limited by the SLIC according to $|V_{TRdc}| = |V_{Bat}| - V_{Bias}$. Although the SLIC continues to function, this mode of operation should be avoided due to increased noise and a much reduced V_{Bat} to transmission ports rejection ratio.

To minimize noise as well as battery feed circuit power dissipation on long loops the switch mode regulator is

automatically turned off for tip to ring dc voltages exceeding a threshold value of approximately $V_{SGRef} - 1V$. With the regulator disabled, the V_{Bat} supply voltage is passed on to the VREG input without being down-converted.

The inductor, L, should be 1 mH with a series resistance larger than 15 Ω. A saturated inductor with less than 15 Ω of series resistance may damage the SLIC due to excessive regulator switch current.

C_{Filt} , 0.47 μF, is the regulator output filter capacitor.

The catch diode, D_1 , (e.g. 1N4448) must withstand 70 V reverse voltage, conduct an average of 50 mA (150 mA peak) and turn off in less than 10 nsec.

C_{CH1} , C_{CH2} and R_{CH} make up a compensation network for an internal voltage comparator. Values are given in the applications example, figure 11.

The components associated with the switching regulator must be connected via the shortest possible PCB trace lengths. Other circuits should be kept isolated from this area. The L terminal voltage variations are large and very fast. To avoid interference the inductor and the catch diode should be located directly at this terminal. Inductors with closed magnetic path core (e.g. toroid, pot core) will reduce interference originating from the inductor.

Battery Feed Circuit Programming Procedure

Extracting the key elements from the preceding description results in the following step-by-step procedure.

1. Establish the battery feed requirements.

Maximum loop resistance, including fuse resistors R_{F1} and R_{F2} , $R_{LMax} = ?$

Loop current at the maximum loop resistance, $I_{LMin} = ?$

SLIC supply voltage, VBAT = ?

2. Calculate the feed resistance programming components R_{DC1} and R_{DC2} from

$$R_{DC1} = R_{DC2} = \left[\frac{50}{I_{LMin}} - R_{LMax} \right] \cdot 2.5$$

Note that the above calculation for R_{DC1} , R_{DC2} is valid only for $I_{LMin} \cdot R_{LMax} < V_{SGRef}$ where V_{SGRef} is maximum 48.3 for the PBL 3796 (in 44-pins PLCC package).

When the loop voltage exceeds V_{SGRef} the loop feed converts to nearly constant voltage feed with a resistive feed characteristics of approximately 120 Ω.

After calculating R_{DC1} and R_{DC2} verify the resulting short circuit loop current

$$I_{LShAct} = \frac{145}{R_{DC1} + R_{DC2}}$$

3. Calculate C_{DC} from

$$C_{DC} = \frac{1}{2\pi \cdot f_{3dB}} \cdot \left[\frac{1}{R_{DC1}} + \frac{1}{R_{DC2}} \right]$$

where $f_{3dB} = 200$ Hz

4. Recommended switch mode regulator component values:

L = 1 mH ± 10 %;

$C_{Filt} = 0.47 \mu F \pm 10\%$, 100 V;

$D_1 = 1N4448$ (or equivalent),

$R_{CH} = 909 \Omega \pm 2\%$, 0.25 W;

$C_{CH1} = 0.047 \mu F \pm 10\%$, 100 V;

$C_{CH2} = 1500 pF \pm 10\%$, 100 V.

Loop Monitoring Functions

Overview

The PBL 3796 SLIC contains two detectors: the loop current and the ring trip detector. These two detectors report their status via the shared \overline{DET} output. The detector to be connected to the \overline{DET} output is selected according to the logic states at the control inputs C1, C2, C3. Enable input E0 sets the \overline{DET} output to either active or high impedance state.

Loop Current Detector - Active State and Stand-by State

Active state (C3, C2, C1 = 0, 1, 0), active polarity reversal state (C3, C2, C1 = 1, 1, 0), stand-by state (C3, C2, C1 = 0, 1, 1), and stand-by polarity reversal state (C3, C2, C1 = 1, 1, 1).

The loop current value at which the loop current detector changes state is programmable by calculating a value for resistor R_D . R_D connects between terminals RD and VEE.

Figure 18 shows a block diagram for the loop current detector. The two-wire interface produces a current, I_{RD} , flowing out of pin RD:

$$I_{RD} = 0.5 \cdot \frac{|I_{LT} - I_{LR}|}{300} = \frac{|I_{LT}|}{300}$$

where I_{LT} and I_{LR} are currents flowing into

the TIPX and RINGX terminals and I_L is the loop current. The voltage generated across the programming resistor R_D by I_{RD} is applied to an internal comparator with hysteresis. The comparator reference voltage for transition on-hook to off-hook is 1.55 V. The reference voltage for a transition off-hook to on-hook is 1.37 V. A logic low level results at the DET output, when the comparator reference voltage is exceeded.

For a specified on-hook to off-hook loop current threshold, I_{LThOff} , R_D is calculated from

$$R_D = \frac{1.55 \cdot 300}{|I_{LThOff}|}$$

The calculated R_D value corresponds to an off-hook to on-hook loop current threshold, I_{LThOn} of

$$|I_{LThOn}| = \frac{1.37 \cdot 300}{R_D}$$

Loop Current Detector - Tip Open Circuit State

Tip open circuit state (C3, C2, C1 = 1, 0, 0)

In the tip open circuit state the loop current detector function is similar to the active state, but the RD terminal current, I_{RD} , is calculated from

$$I_{RD} = \frac{I_{LR}}{600}$$

where I_{LR} is the ring lead current.

The detector is triggered at a ring lead threshold current $I_{LThOffTo}$ with the R_D resistance value set to

$$R_D = \frac{1.55 \cdot 600}{I_{LThOffTo}}$$

The ring lead current must be reduced to less than

$$I_{LThOnTo} = \frac{1.37 \cdot 600}{R_D}$$

for the detector to return to its non-triggered state.

Loop Current Detector - Filter Capacitor

To increase the loop current detector noise immunity, a filter capacitor may be added from terminal RD to ground. A suggested value for C_D is:

$$C_D = \frac{1}{2\pi \cdot R_D \cdot f_{3dB}}$$

where

$f_{3dB} = 500$ Hz is the high end frequency response 3dB break point for the low pass filter created.

C_D is in farads for R_D in ohms.

Note that C_D may not be required if the detector output is software filtered.

Ring Trip Detector

Ring trip detection is accomplished by monitoring the two-wire line for presence of dc current while ringing is applied. When the subscriber goes off-hook with ringing applied, dc loop current starts to flow. The comparator in the SLIC with inputs DT and DR detects this current flow via an interface network. The result of the comparison is presented at the DET output. The ring trip comparator is automatically connected to the DET output, when the SLIC control inputs are set to the ringing state (C3, C2, C1 = 0, 0, 1). When off-hook during ringing is detected, the line card or system controller will proceed to disconnect the ringing source (software ringtrip) by re-setting the control input logic states. Alternatively, the DET output may be monitored by circuits on the line card, which perform the ringtrip function (hardware ringtrip).

The ringing source may be balanced or unbalanced, superimposed on the V_{Bat} supply voltage. The unbalanced ringing source may be applied to either the tip lead or the ring lead with return

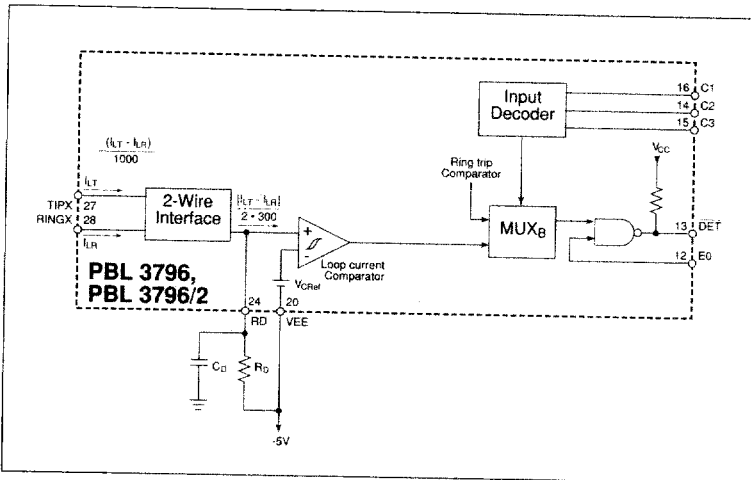


Figure 18. Loop current detector.

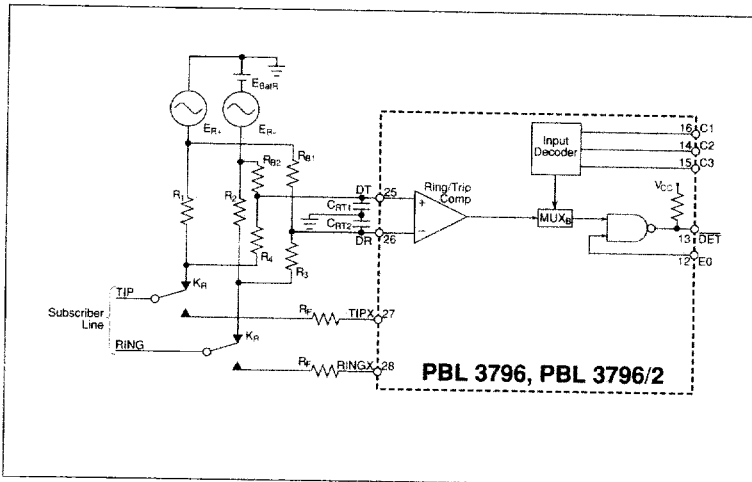


Figure 19. Ring trip network, balanced ringing.

on the other wire. A ring relay, energized by the SLIC ring relay driver, connects the ringing source to tip and ring. For unbalanced ringing systems the loop current sensing resistor may be placed either in series with the ringing generator or in series with the return lead to ground.

Figures 19 and 20 show examples of balanced and unbalanced ringing systems. For either ringing system the ringtrip detection function is based on a polarity change at the inputs DT and DR of the ringtrip comparator.

In the unbalanced case the dc voltage drop across resistor R_{RT} is zero as long as the telephone remains on-hook. With the telephone off-hook during ringing, dc loop current will flow, causing a voltage drop across R_{RT} . The R_{RT} voltage is applied to the comparator input DT via resistor R_3 . R_4 shifts the voltage level to be within the comparator common mode range. C_{RT} removes the ac component of the ringing signal. R_1 and R_2 establish a bias voltage at comparator input DR, which is more negative than DT when the telephone is on-hook and is more positive than DT when the telephone goes off-hook during ringing.

Complete removal of the ringing signal ac component at the DT input may not be necessary. Some residual ac component at the DT input may under certain operating conditions cause the \overline{DET} output to toggle between the on-hook and off-hook states at the ringing frequency. However, with the telephone off-hook the \overline{DET} output will be at logic low level for more than half the time.

Therefore, by sampling the \overline{DET} output, a software routine can discriminate between on-hook and off-hook through examination of the duty cycle. Full removal of the ringing frequency from the DT input while maintaining ringtrip within required time limits (approximately < 100 ms) usually mandates a second order filter rather than the first order shown in figure 20. The software approach minimizes the number of line card components.

In the balanced ringing system shown in figure 19, R_1 and R_2 are the loop current sensing resistors. With the telephone on-hook, no dc loop current flows to cause a dc voltage drop across resistors R_1 and R_2 . Voltage dividers R_{B2} , R_1 and R_{B1} , R_3 bias the ringtrip comparator input DT to be more positive than DR. With the telephone off-hook during ringing dc loop current will flow, causing a voltage drop across resistors R_1 and R_2 , which in turn will make comparator input DT more negative than DR, setting the DET output to logic low level, indicating ringtrip condition. Capacitors C_{RT1} and C_{RT2} filter the ring voltage at the comparator inputs. For 20 Hz ringing it is suitable to calculate these capacitors for a time constant of $T = 50$ ms, i. e.

$$C_{RT1} = T \cdot \left[\frac{1}{R_{B2}} + \frac{1}{R_4} \right]$$

Detector Output, \overline{DET}

The loop current detector and ringtrip comparator share a common output, DET. The DET output is open collector with internal pull-up resistor to V_{CC} . Via

control inputs C1 through C3 one of the two detectors is selected to be connected to the \overline{DET} output. With enable input E0 set to logic high level, the \overline{DET} output is activated. In the \overline{DET} active state a logic low level indicates a triggered detector condition and a logic high level reports a non-triggered detector. With E0 set to logic low level, the \overline{DET} output is set to its high impedance state, i.e. connected to V_{CC} via the internal pull-up resistor.

Relay Drivers

The PBL 3796 SLIC contains two identical drivers for test and ring relays. The drivers are pnp transistors in open collector configuration, designed to drive 80 mA from the V_{CC} supply. Each driver has an internal inductive kick-back clamp diode. The relay coil may be connected to negative supply voltages ranging from ground to V_{BAT} . Control input C4 activates the test relay driver. Control inputs C1, C2 and C3 are used to operate the ring relay.

Control Inputs

Overview

The PBL 3796 SLIC has four TTL compatible control inputs, C1 through C4. A decoder in the SLIC interprets the control input logic conditions and sets up the commanded operating state. C1 through C3 allow for eight operating states. The C4 control input acts directly on the test relay driver.

The control inputs interface with programmable CODEC/filters, e.g. SLAC, SiCoFi, Combo II without any

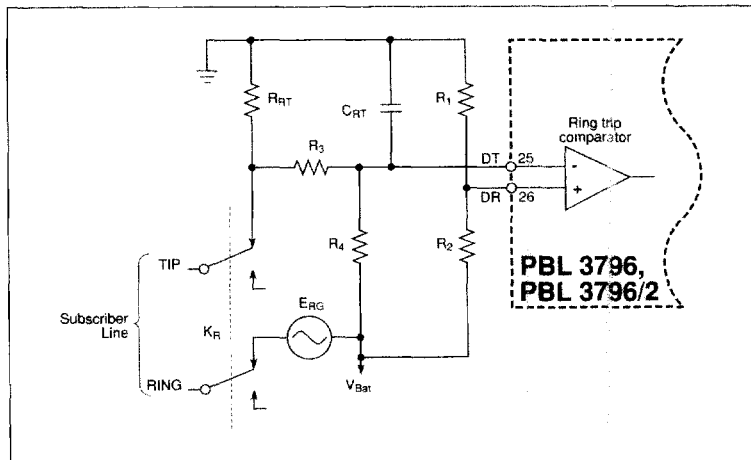


Figure 20. Ring trip network, unbalanced ringing.

interface components. Via serial I/O ports on the programmable CODEC/filter devices a micro processor can communicate with the SLIC. In designs utilizing conventional CODEC/filters without control latches, the line card logic must contain the necessary latches for inputs C1 through C4.

Table 1 contains a summary description of the Control Inputs.

Test Relay Control (C4)

With C4 set to logic low level the test relay driver (TESTRLY) is activated. C4 set to logic high level causes the relay driver to be de-energized. The test relay driver is controlled exclusively by C4 and is independent of the C1, C2 and C3 logic levels.

Open Circuit State (C3, C2, C1 = 0, 0, 0)

In the Open Circuit State both the TIPX and RINGX power amplifiers present a

high impedance to the line. The loop current detector is not active in this state.

Ringing State (C3, C2, C1 = 0, 0, 1)

The ring relay driver (RINGRLY) is activated and the ring trip comparator is connected to the detector output (DET). The TIPX and RINGX terminals are in the high impedance state and signal transmission is inhibited.

Active State (C3, C2, C1 = 0, 1, 0)

TIPX is the terminal closest to ground potential and sources loop current, while RINGX is the more negative terminal and sinks loop current. Signal transmission is normal and the loop current detector is gated to the DET output.

Stand-by State (C3, C2, C1 = 0, 1, 1)

In the stand-by state the short circuit loop current is limited to a maximum of $I_{LSkSB} = 80 / (R_{DC1} + R_{DC2})$. Loop current limiting starts to take effect for currents larger

than the threshold value $I_{Limsb} = 45 / (R_{DC1} + R_{DC2})$. For loop currents less than I_{Limsb} , battery feed is identical to the Active state loop feed. The loop current detector is connected to the DET output.

TIPX Open Circuit State (C3, C2, C1 = 1, 0, 0)

The TIPX power amplifier presents a high impedance to the line. The RINGX terminal is active and sinks current. The loop current detector is connected to the DET output. The detection threshold for the on-hook to off-hook transition is $I_{LTHOnHk} = (1.55 \cdot 600) / R_L$. The RINGX terminal is able to sink up to 35 mA from ground.

Reserved State (C3, C2, C1 = 1, 0, 1)

This state has no assigned function.

Active Polarity Reversal State (C3, C2, C1 = 1, 1, 0)

TIPX and RINGX polarity is reversed from the Active State: RINGX is the terminal closest to ground and sources loop current while TIPX is the more negative terminal and sinks current. Polarity reversal transition time is approximately 4 msec.. The loop current detector is connected to the DET output. Signal transmission is normal. The loop current is limited to $145 / (R_{DC1} + R_{DC2})$.

Stand-by Polarity Reversal State (C3, C2, C1 = 1, 1, 1)

Polarity Reversal as described under state C3, C2, C1 = 1, 1, 0 and Stand-by as described under state C3, C2, C1 = 0, 1, 1.

Enable Input

E0 sets the DET output to active state, when at logic high level and to high impedance state when at logic low level.

Table 2 summarizes the above description of the Enable input.

Overvoltage Protection

The PBL 3796 SLIC must be protected against overvoltages on the telephone line caused by lightning, ac power contact and induction. Refer to Maximum Ratings, TIPX and RINGX terminals, for maximum allowable continuous and transient voltages that may be applied to the SLIC. The circuit shown in figure 12 utilizes series resistors together with a

State #	C4 Note 1	C3	C2	C1	Operating State	Active detector
1	X	0	0	0	Open circuit	Ring trip comparator
2	X	0	0	1	Ringing	Ring trip comparator
3	X	0	1	0	Active	Loop current
4	X	0	1	1	Stand-by	Loop current
5	X	1	0	0	Tip open	Loop current
6	X	1	0	1	Reserved	None
7	X	1	1	0	Active polarity reversal	Loop current
8	X	1	1	1	Stand-by polarity reversal	Loop current

Notes

- Control input C4 logic state (X) affects only the test relay driver and does not change the SLIC operating state. C4 at logic low level activates the test relay driver. C4 at logic high level turns the test relay driver off.

Table 1. PBL 3796 operating states.

Enable state #	E0	DET output state	Active detector
1	0	High impedance	None
2	1	Active	Loop current or ringtrip. Note 1

Notes

- The loop current detector or the ring trip comparator is selected via C3, C2, C1 (state # 2 selects the ringtrip comparator)

Table 2. Enable input.

programmable overvoltage protector (e.g. Texas Instrument TISP PBL1), serving as a secondary protection.

The protection network in figure 9 is designed to meet requirements in ITU-T K20, Table 1.

The TISP PBL1 is a dual forward-conducting buffered p-gate overvoltage protector. The protector gate references the protection (clamping) voltage to negative supply voltage (i.e. the battery voltage, V_{Bat}). As the protection voltage will track the negative supply voltage the overvoltage stress on the SLIC is minimized.

Positive overvoltages are clamped to ground by an internal diode. Negative overvoltages are initially clamped close to the SLIC negative supply rail voltage. If sufficient current is available from the overvoltage, then the protector will crowbar into a low voltage on-state condition, clamping the overvoltage close to ground.

A gate decoupling capacitor, C_{TISP} is needed to carry enough charge to supply a high enough current to quickly turn on the thyristor in the protector. Without the capacitor even the low inductance in the track to the V_{Bat} supply will limit the current and delay the activation of the thyristor clamp.

The fuse resistors R_f serve the dual purposes of being non-destructive energy dissipators, when transients are clamped and of being fuses, when the line is exposed to a power cross.

Ericsson Components AB offers a series of thick film resistors networks (e.g. PBR 51-series and PBR 53-series) designed for this application.

Also devices with a built in resettable fuse function is offered (e.g. PBR 52-series) including positive temperature coefficient

(PTC) resistors, working as resettable fuses, in series with thick film resistors. Note that it is important to always use PTC's in series with resistors not sensitive to temperature, as the PTC will act as a capacitance for fast transients and therefore the ability to protect the SLIC will be reduced.

If there is a risk overvoltages on the V_{Bat} terminal on the SLIC, then this terminal should also be protected.

Over-temperature Protection

A ring lead to ground short circuit fault condition, as well as other improper operating modes, may cause excessive SLIC power dissipation. If junction temperature increases beyond 140 °C, the temperature guard will trigger, causing the SLIC to be set to a high impedance state. In this high impedance state power dissipation is reduced and the junction temperature will return to a safe value. Once below 130 °C junction temperature the SLIC is returned back to its normal operating mode and will remain in that state assuming the fault condition has been removed.

Power-up Sequence

The voltage at pin VBAT sets the substrate voltage VQBAT (supplied internally from VBat through a resistor), which must at all times be kept more negative than the voltage at any other terminal. This is to maintain correct junction isolation between devices on the chip. To prevent possible latch-up, the correct power-up sequence is to connect ground and V_{Bat} , then other supply voltages and signal leads. Should the V_{Bat} supply voltage be absent, a diode with a 2 A current rating, connected with its cathode to VEE and anode to VQBAT, ensures the presence of the most negative supply voltage at the VQBAT pin.

The V_{Bat} voltage should not be applied at a faster rate than $dV_{Bat}/dt = 4 \text{ V}/\mu\text{sec}$, e.g. a time constant formed by a 5.1 ohm resistor in series with the VBAT pin and a 0.47 microfarad capacitor from the VBAT pin to ground. One resistor may be shared by several SLICs.

Printed Circuit Board Layout

Care in PCB layout is essential for proper function. The components connecting to the RSN input should be placed in close proximity to that pin, such that no interference is injected into the RSN terminal. A ground plane surrounding the RSN pin is advisable. The C_{HP} capacitor should be placed close to terminals HPT and HPR to avoid unwanted disturbances.

The switch mode regulator components must be located near the pins to which they connect. It is particularly important that the catch diode and the inductor are connected via shortest possible trace lengths.

Ground terminals GND1 and GND2 should be connected via a direct PCB trace at the device location.

Ordering Information

Package Part No.	Temp Range	
Plastic DIP 28-p	0 to 70 °C	PBL 3796N
PLCC 44-pin	0 to 70 °C	PBL 3796QN
PLCC 44-pin	0 to 70 °C	PBL 3796/2QN
PLCC 32-pin	0 to 70 °C	PBL 3796RN
PLCC 32-pin	0 to 70 °C	PBL 3796/2RN